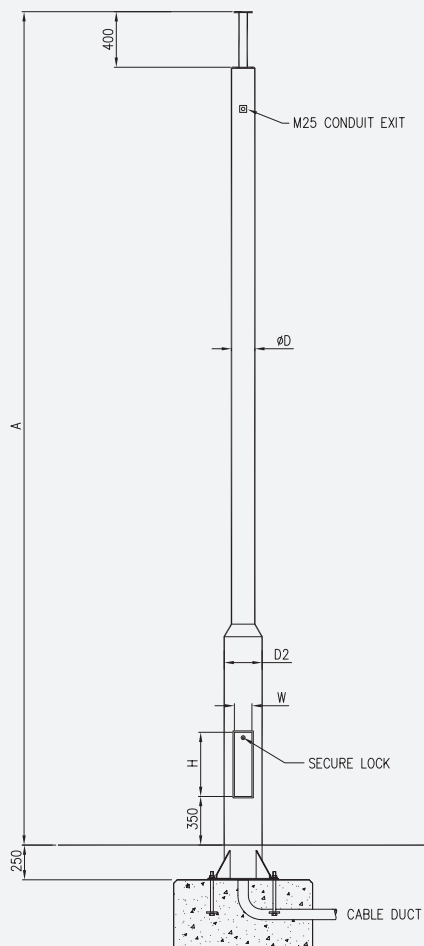


AW1502 Lamp Standard Pole Technical Specification ←

AW1502



Options	PT No.
Access cover plate and cable restraining bar	/AC
Decorative banding	/B
High security locks	/HS
Screw in swan neck adaptor	/SN
Washer bottle conduit	/W
Double door	/DD
Enlarged door aperture	/ENAP

All camera mounting plates are DIA 127 with 8 No Ø 8.5 equi-spaced on 101.6 PCD. Ø 40 thro' column spacer

Poles complete with treated equipment mounting board inside compartment. Earthing lugs within pole and on door

FOR BASE DETAILS
REFER TO PAGE 26

Tubular Poles Static
& Tilt Down

Model No.	Height in metres A	Shaft Ø D	Base Ø D2	Payload equip capacity *	Recom max equip windload m ²	Base height C	Door aperture Size L x W	Base plate size H	Holding down bolt centres I	Holding down bolt size
AW1502/3	3	139	219	35	0.4m ²	1100	362x126	405 ²	350 ²	M16x200
AW1502/4	4	139	219	35	0.4m ²	1100	362x126	405 ²	350 ²	M16x200
AW1502/5	5	168	273	35	0.4m ²	1500	462x126	510 ²	450 ²	M20x300
AW1502/5LD	5	139	219	25	0.25m ²	1500	362x126	405 ²	350 ²	M16x200
AW1502/6	6	168	273	35	0.4m ²	1500	462x126	510 ²	450 ²	M20x300
AW1502/6LD	6	139	219	25	0.25m ²	1500	362x126	405 ²	350 ²	M16x200
AW1502/7	7	168	273	35	0.4m ²	1500	462x126	510 ²	450 ²	M20x300
AW1502/7LD	7	139	219	25	0.25m ²	1500	362x126	510 ²	450 ²	M20x 300
AW1502/8LD	8	168	273	25	0.25m ²	1500	462x126	510 ²	450 ²	M20x300
AW1502/8	8	219	323	35	0.4m ²	1900	425x177	630 ²	550 ²	M24x300
AW1502/9	9	219	323	25	0.4m ²	1900	425x177	630 ²	550 ²	M24x300
AW1502/10	10	219	323	35	0.4m ²	1900	425x177	630 ²	550 ²	M24x400
AW1502/10HD	10	273	355	50	0.5m ²	1900	425x177	800 ²	700 ²	M27x 600
AW1502/11	11	273	355	35	0.4m ²	1900	425x177	800 ²	700 ²	M27x600
AW1502/12	12	273	355	35	0.4m ²	1900	425x177	800 ²	700 ²	M27x600
AW1502/13	13	273	355	35	0.4m ²	1900	425x177	800 ²	700 ²	M27x600
AW1502/14	14	273	355	35	0.4m ²	1900	425x177	800 ²	700 ²	M27x600
AW1502/15	15	273	355	35	0.4m ²	1900	425x177	800 ²	700 ²	M27x600

* Where payloads are greater than those stated above, please contact Altron