

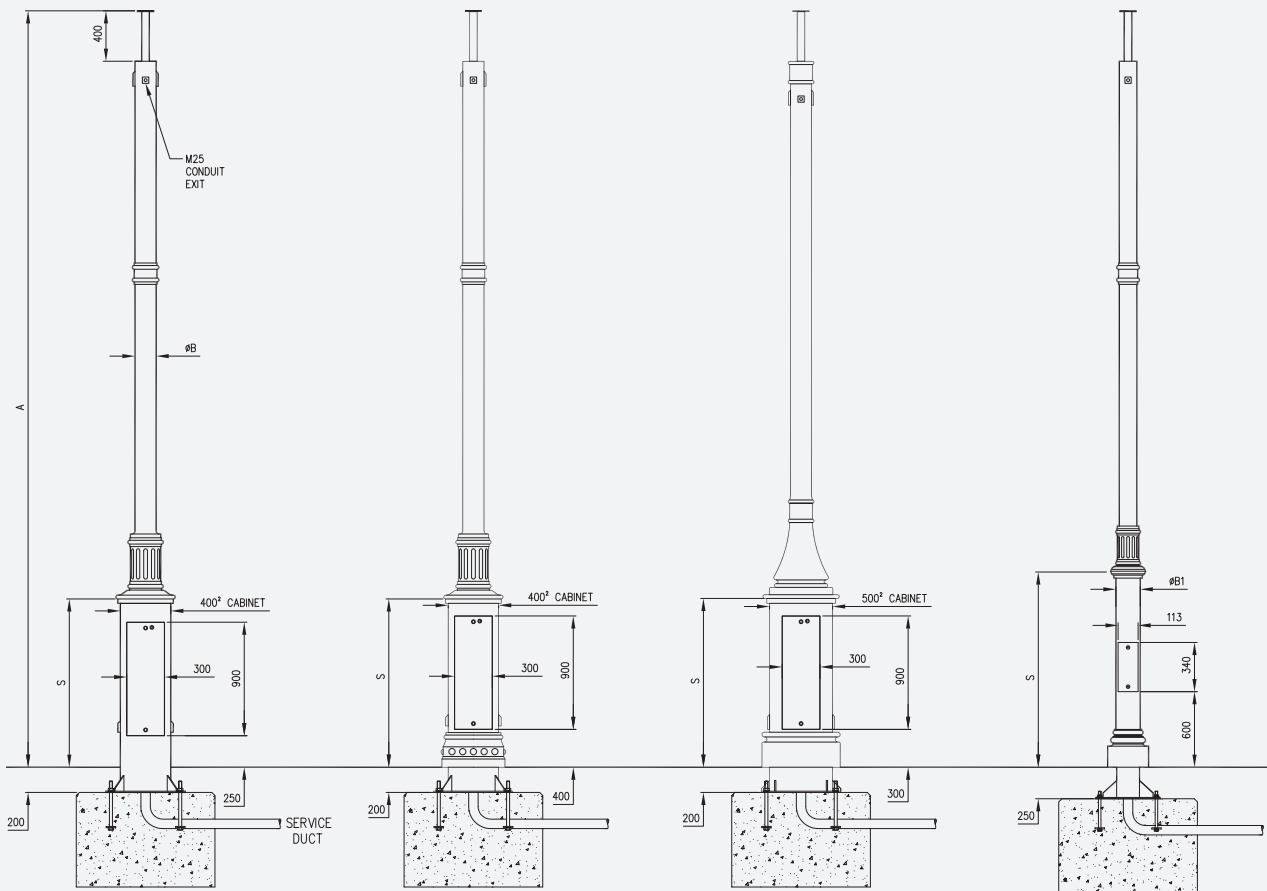
# Ornate Poles Technical Specification ←

## AW1545 HNEK

## AW1545 ENEK

## AW1545 TNEK

## AW1502 ENEK



Ornate Poles

Model No. Add Suffix eg AW1545/4/TNEK	Height In metres A	Pole Ø B	Payload eqpt capacity *	Recom. max eqpt windload* m <sup>2</sup>	Cabinet height above ground S ENEK HNEK TNEK	Base plate size H 400 – 500 <sup>2</sup> CAB	Holding down bolt centres I 400 – 500 <sup>2</sup> CAB	Holding down bolt size 400 – 500 <sup>2</sup> CAB
AW1545/4	4	168	40kgs	0.25m <sup>2</sup>	1300 1200	630 <sup>2</sup>	550 <sup>2</sup>	M24 x 300
AW1545/5	5	168	40kgs	0.25m <sup>2</sup>	1300 1200	630 <sup>2</sup>	550 <sup>2</sup>	M24 x 300
AW1545/6	6	168	40kgs	0.25m <sup>2</sup>	1300 1200	630 <sup>2</sup>	550 <sup>2</sup>	M24 x 300
AW1545/7	7	168	40kgs	0.25m <sup>2</sup>	1300 1200	630 <sup>2</sup>	550 <sup>2</sup>	M24 x 300
AW1545/8	8	168	40kgs	0.25m <sup>2</sup>	1300 1200	630 <sup>2</sup>	550 <sup>2</sup>	M24 x 400
AW1545/8HD	8	219	40kgs	0.25m <sup>2</sup>	1300 1200	630 <sup>2</sup>	550 <sup>2</sup>	M24 x 400
AW1545/9	9	219	40kgs	0.25m <sup>2</sup>	1600 1200	630 <sup>2</sup>	550 <sup>2</sup>	M24 x 400
AW1545/10	10	219	40kgs	0.25m <sup>2</sup>	1600 1600	630 <sup>2</sup>	550 <sup>2</sup>	M24 x 400
AW1545/10HD	10	273	40kgs	0.25m <sup>2</sup>	1600 1600	800 <sup>2</sup>	700 <sup>2</sup>	M27 x 600
AW1545/12	12	273	40kgs	0.25m <sup>2</sup>	1600 1600	800 <sup>2</sup>	700 <sup>2</sup>	M27 x 600
AW1545/15	15	273	40kgs	0.25m <sup>2</sup>	1600 1600	800 <sup>2</sup>	700 <sup>2</sup>	M27 x 600

Note TNEK version Available in 500<sup>2</sup> cabinet only

Model No.	Height in metres A	Shaft Ø B	Payload eqpt capacity Kgs	Recom. max eqpt windload* m <sup>2</sup>	Base Ø BI	Base height C	Door aperture size H x W	Base plate size H	Holding down bolt centres I	Holding down bolt Size
AW1502/3/ENEK	3	139	40kgs	0.50m <sup>2</sup>	193	1100	362 x 126	405 <sup>2</sup>	350 <sup>2</sup>	M16 x 200
AW1502/4/ENEK	4	139	40kgs	0.50m <sup>2</sup>	193	1100	362 x 126	405 <sup>2</sup>	350 <sup>2</sup>	M16 x 200
AW1502/5/ENEK	5	139	30kgs	0.50m <sup>2</sup>	193	1500	362 x 126	405 <sup>2</sup>	350 <sup>2</sup>	M16 x 200
AW1502/6/ENEK	6	139	30kgs	0.40m <sup>2</sup>	193	1500	362 x 126	405 <sup>2</sup>	350 <sup>2</sup>	M16 x 200
AW1502/7/ENEK	7	139	25kgs	0.30m <sup>2</sup>	193	1500	362 x 126	510 <sup>2</sup>	450 <sup>2</sup>	M20 x 300
AW1502/8/ENEK	8	139	25kgs	0.25m <sup>2</sup>	193	1500	362 x 126	510 <sup>2</sup>	450 <sup>2</sup>	M20 x 300

\* Where payloads are greater than those stated above, please contact Altron