

Options AW1545/LTH & AW1502/LTH

Decorative Banding (on Cabinet only)	/B
Altron 4 Point Locking	/A4P
Trackway Upgrade (for manually operated poles)	/TR
Dual drum Winch & Drill Winding Device Upgrade (Includes trackway)	/DO
Drop Down Arm	/DDA
Cable Management System	/CM

Options - AW1502/LTH only

High Security Lock	/HS
--------------------	-----

AW1545/LTH Cabinet & Door Configurations

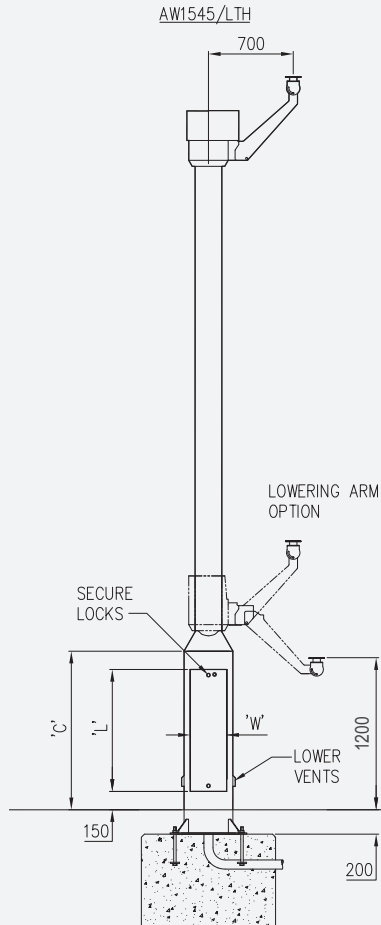
Standard cabinet base size is 400²
Standard door configuration is one full size door on winch access side & one half size door on opposite side

450sq cabinet	/450
500sq cabinet	/500

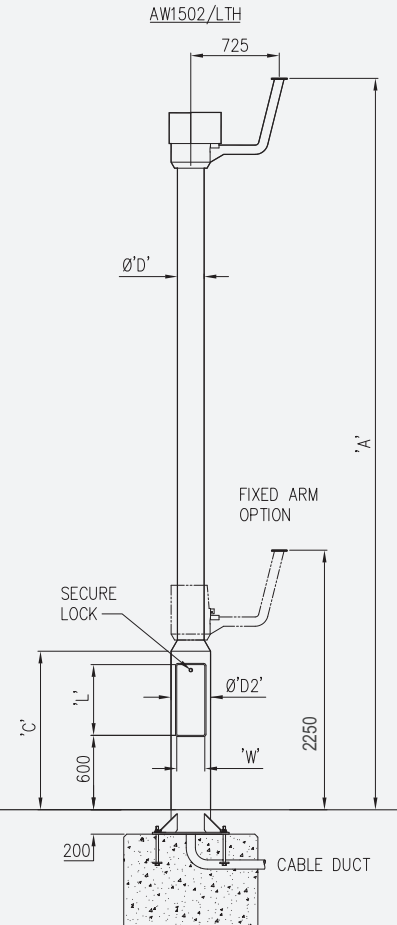
Accessories - AW1545/LTH & AW1502/LTH

Manual Winch Winder for Dual Drum Winch	/MWW
Support Bracket for Drill Winding Device	/DSB
Internal Padlock Plate	/IPP

1545 LTH



1502 LTH



All camera mounting plates are DIA 127 with 8 No Ø 8.5 equi-spaced on 101.6 PCD. Ø 40 thro' column spacer

Poles complete with treated equipment mounting board inside compartment. Earthing lugs within pole and on door.

FOR BASE DETAILS REFER TO PAGE 49

Model No	Height in metres A	Pole Ø B	Payload eqpt capacity Kgs	Recommended max. eqpt windload	Cabinet Height above ground C	Front door size LxW	Rear door size LxW	Holding down bolt size
AW1545/4LTH	4	219	30kgs	0.25m ²	1300	970x270	520x270	M24x300
AW1545/5LTH	5	219	30kgs	0.25m ²	1300	970x270	520x270	M24x300
AW1545/6LTH	6	219	30kgs	0.25m ²	1300	970x270	520x270	M24x300
AW1545/7LTH	7	219	30kgs	0.25m ²	1300	970x270	520x270	M24x300
AW1545/8LTH	8	219	30kgs	0.25m ²	1300	970x270	520x270	M24x400
AW1545/9LTH	9	219	30kgs	0.25m ²	1300	970x270	520x270	M24x400
AW1545/10LTH	10	219	30kgs	0.25m ²	1300	970x270	520x270	M24x400
AW1545/10HDLTH	10	273	30kgs	0.25m ²	1300	970x270	520x270	M27x600
AW1545/12LTH	12	273	30kgs	0.25m ²	1300	970x270	520x270	M27x600
AW1545/15LTH	15	273	30kgs	0.25m ²	1300	970x270	520x270	M27x600

Model No	Height in metres A	Payload eqpt capacity	Recommended max eqpt windload	Shaft Ø D	Base Ø D2	Base height C	Door aperture size L x W	Base plate size H	Holding down bolt centres I	Holding down bolt size
AW1502/4LTH	4	30kgs	0.25m ²	219	323	1300	425x177	510 ²	450 ²	M20x300
AW1502/5LTH	5	30kgs	0.25m ²	219	323	1300	425x177	510 ²	450 ²	M20x300
AW1502/6LTH	6	30kgs	0.25m ²	219	323	1300	425x177	510 ²	450 ²	M20x300
AW1502/7LTH	7	30kgs	0.25m ²	219	323	1300	425x177	510 ²	450 ²	M20x300
AW1502/8LTH	8	30kgs	0.25m ²	219	323	1300	425x177	630 ²	550 ²	M24x400
AW1502/9LTH	9	30kgs	0.25m ²	219	323	1300	425x177	630 ²	550 ²	M24x400
AW1502/10LTH	10	30kgs	0.25m ²	219	323	1300	425x177	630 ²	550 ²	M24x400
AW1502/10HDLTH	10	30kgs	0.25m ²	273	355	1300	425x177	590Ø	-	M27x600
AW1502/11LTH	11	30kgs	0.25m ²	273	355	1300	425x177	590Ø	-	M27x600
AW1502/12LTH	12	30kgs	0.25m ²	273	355	1300	425x177	590Ø	-	M27x600
AW1502/13LTH	13	30kgs	0.25m ²	273	355	1300	425x177	590Ø	-	M27x600
AW1502/14LTH	14	30kgs	0.25m ²	273	355	1300	425x177	590Ø	-	M27x600
AW1502/15LTH	15	30kgs	0.25m ²	273	355	1300	425x177	590Ø	-	M27x600