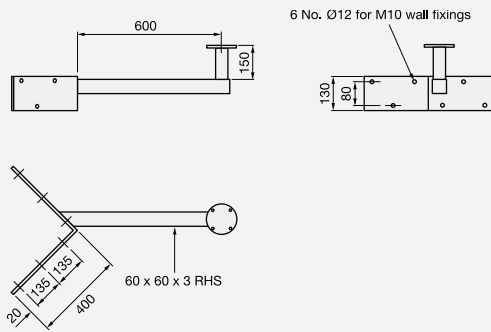
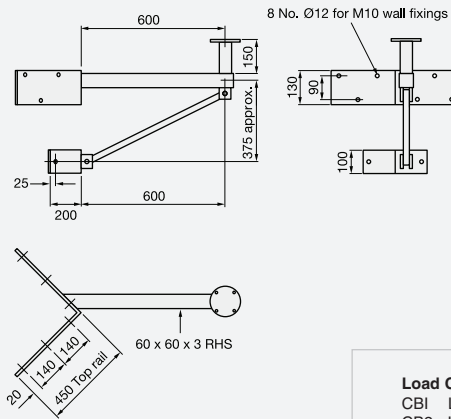


Corner Mounted Bracketry ←

CBI



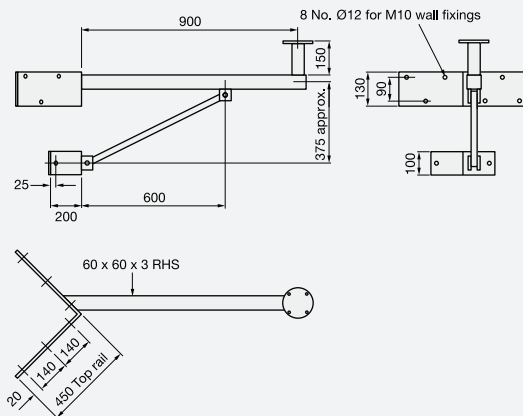
CB2



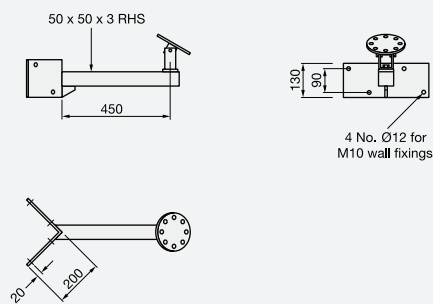
Load Capacities

CBI Load capacity 35kgs
CB2 Load capacity 50kgs

CB2-900



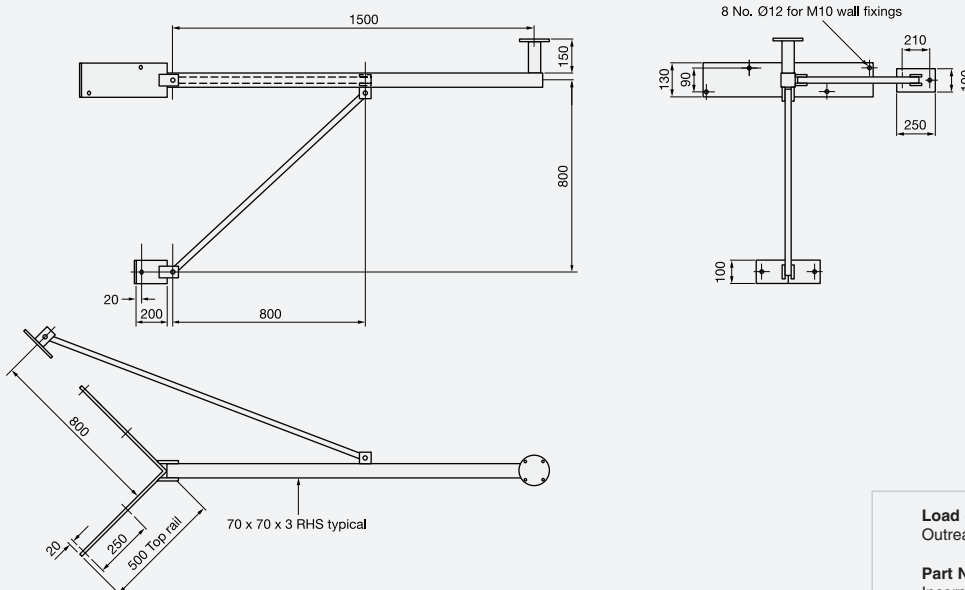
CBI-F



Load Capacities

CBI-900 Load capacity 35kgs
CB2-F Load capacity 30kgs

Extended corner bracket AW1705/C



Load capacity 35kgs

Outreaches available upto 2.5 metres

Part No.

Incorporates outreach
e.g. 2 metre – AW1705/C/2000