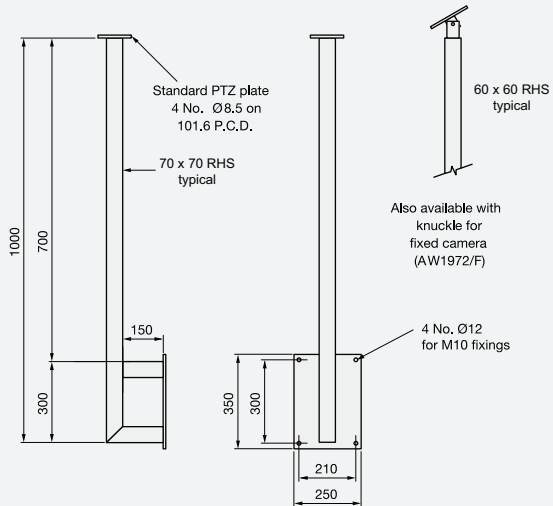
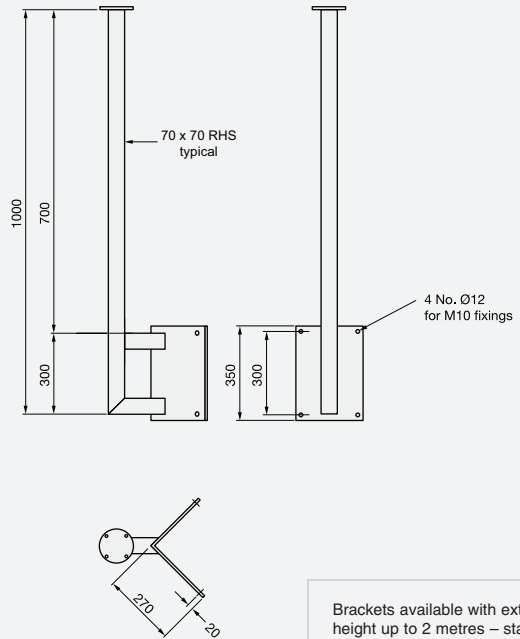


## Wall mount AW1972

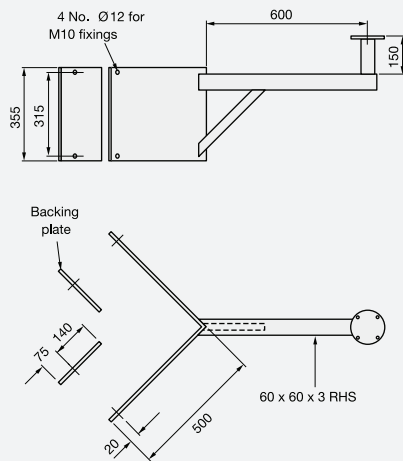


## Corner mount AW1972/C

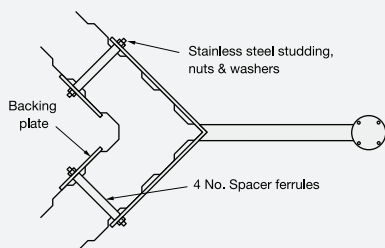


Brackets available with extended height up to 2 metres – standoff to suit requirement

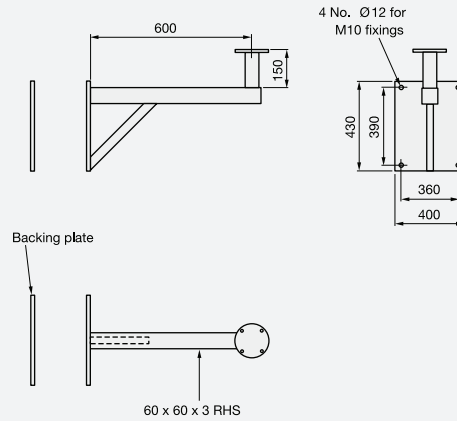
## Corner CB2/C



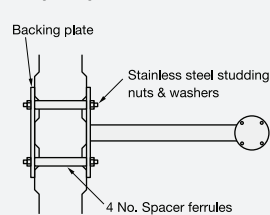
### Fixing arrangement



## Flat WB2/C



### Fixing arrangement



### Load Capacities

Corner CB2/C Load capacity 35kgs  
WB2/C Load capacity 35kgs