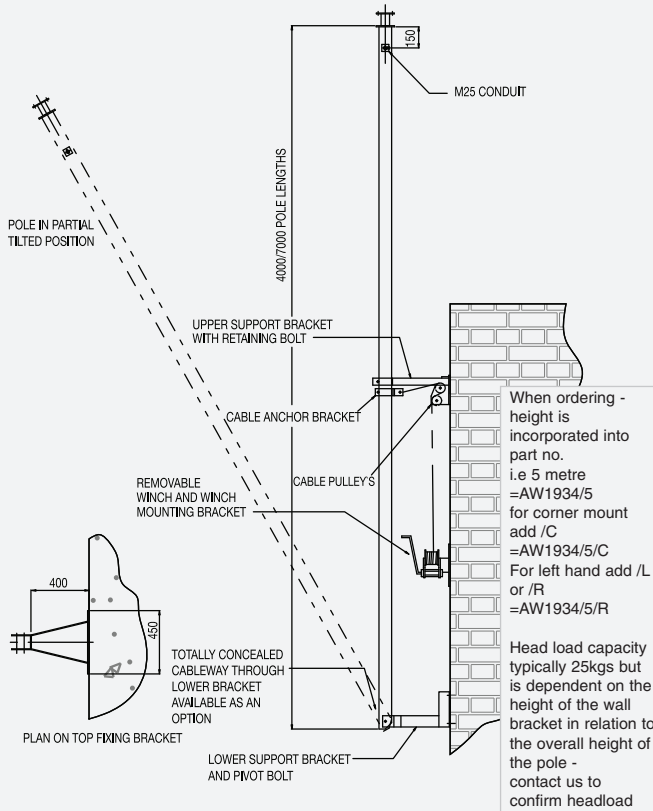
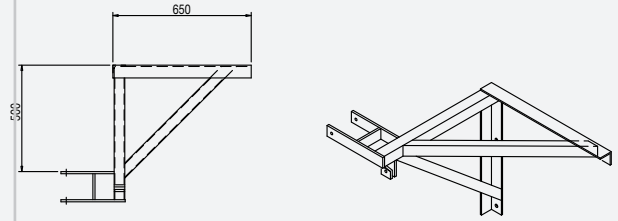


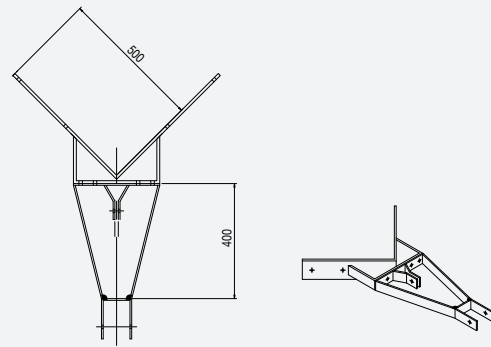
## Wall mounted Tilt-down poles AW1934



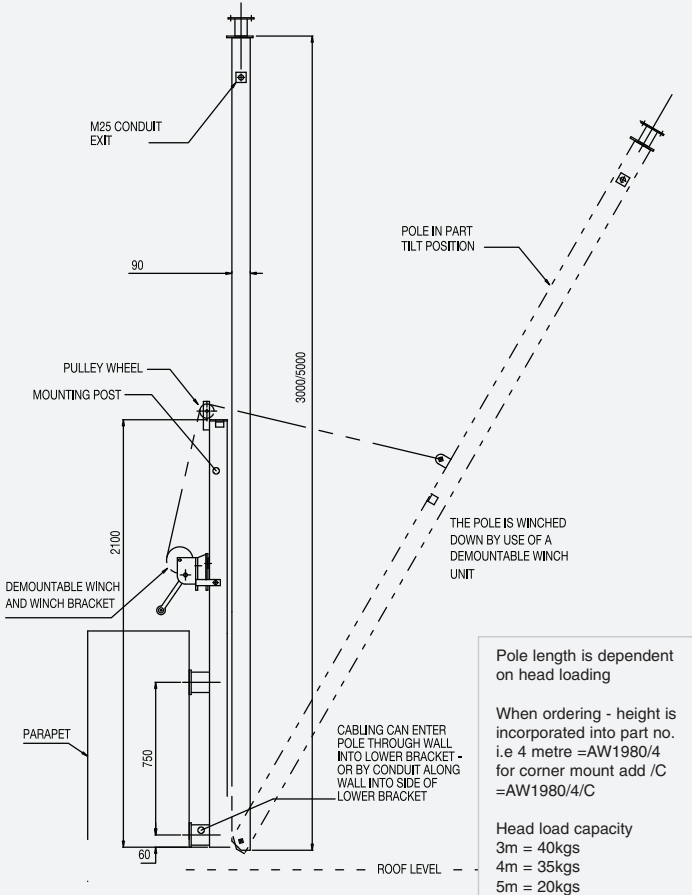
## Left and right hand tilting brackets



## Corner mounting bracket



## Parapet tilt down poles AW1980



## Mounting bracket options

