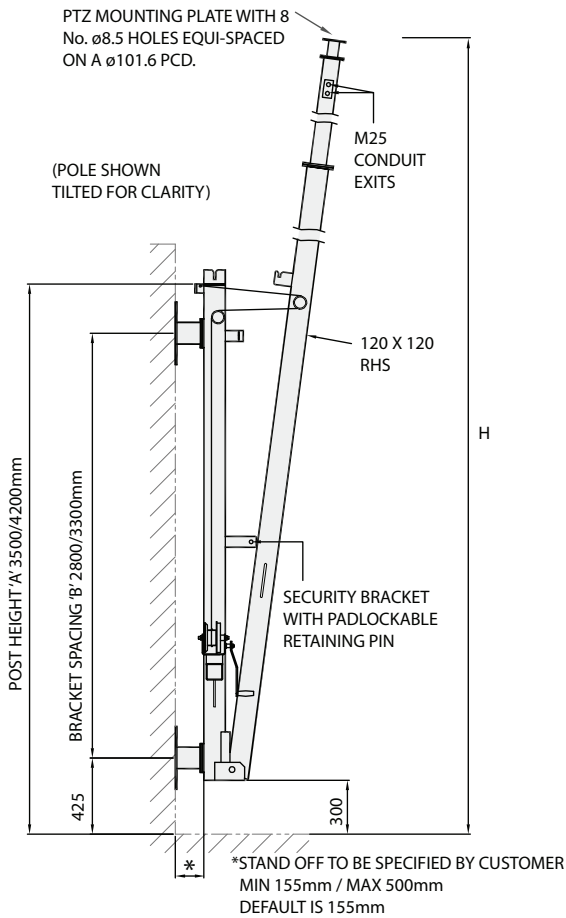


→ Tilt-Down Wall Mounted Poles

AW4772 High Loading Wall-Mounted Tilt-Down Pole

Typically for dual camera and lighting installations, this range can be operated safely without the need to access a high level locking bolt, utilising a high level latch operated from ground level. Winches are fixed and can be supplied with padlockable cover and cable guard.



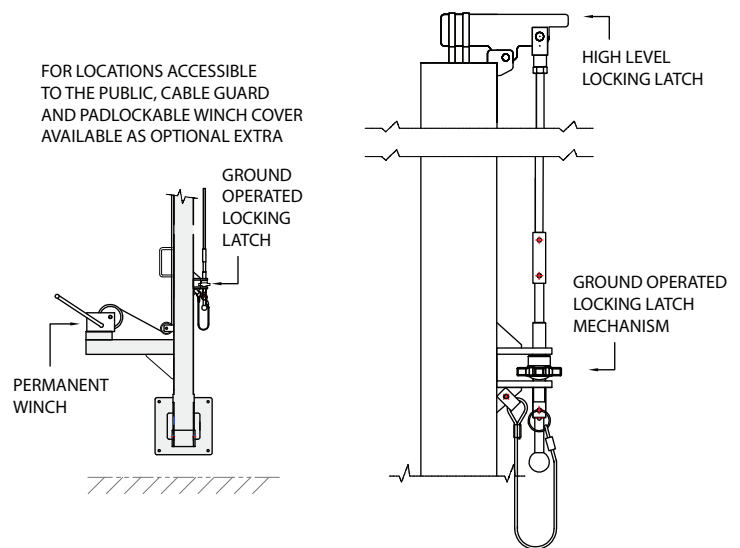
Guidance for Equipment Loading

Total Height 'H' (m)	Part No.	Wind surface area of equipment	Weight of equipment (kgs)	Post height 'A'	Bracket spacing 'B'
4	AW4772/4	0.75 m ²	75	3500 mm	2800 mm
5	AW4772/5	0.75 m ²	75	3500 mm	2800 mm
6	AW4772/6	0.65 m ²	70	4200 mm	3300 mm
7	AW4772/7	0.5 m ²	55	4200 mm	3300 mm
8	AW4772/8	0.4 m ²	40	4200 mm	3300 mm

- o For left hand tilt & right hand tilt suffix part number /LHT or /RHT e.g AW4772/5/LHT
- o For corner mount suffix part number /C
- o Bracket spacing can be altered to suit site conditions depending on suitability of structure
- o Optional winch cable guard (not a retrofit item)
- o Optional padlockable winch housing

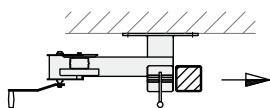
Note ref wall construction. Due to the high loading nature of this product, wall loading and construction should be checked prior to installation. Standard expanding sheath or chemical fixings are not suitable for mounting into breeze blocks or single skin brick walls and in most cases this type of wall construction is not suitable. In all cases a Structural Engineer should be employed to confirm the adequacy of the wall.

Uplatch Detail

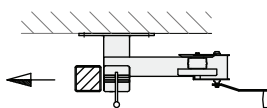


Mounting Bracket Options

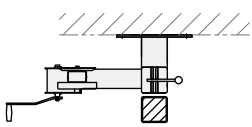
Right Hand Tilt



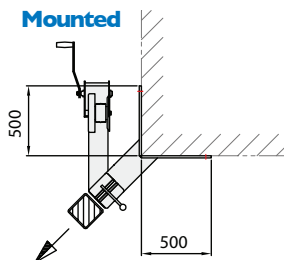
Left Hand Tilt



Standard Wall Mounted



Standard Corner Mounted



*ALSO AVAILABLE WITH RIGHT HAND WINCH MOUNTING

Wall Plate Details

