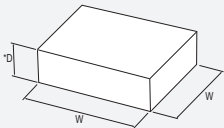


Lowering Trolley Head Poles ← Foundations & Bolting Details

MODEL NO.	HEIGHT MTRS	BOLT CENTRES ¹ ²	BASE PLATE SIZE ¹ ²	BURIED DEPTH ¹ D'	SERVICE ENTRY SIZE	HOLDING DOWN BOLT SIZE D X L	FOUNDATION SIZES FOR THE UK								
							COUNTRY LOCATION			TOWN LOCATION					
							AREA A	AREA B	AREA C	AREA A	AREA B	AREA C			
AW1545/LTH cabinet based, lowering trolley head pole - all variants															
AW1545/LTH/4	4	550	630	200	370x370	M24x325	0.9 x 0.9 x 0.5	1.0 x 1.0 x 0.5	1.1 x 1.1 x 0.55	0.9 x 0.9 x 0.5	0.9 x 0.9 x 0.5	1.0 x 1.0 x 0.5			
AW1545/LTH/5	5	550	630	200	370x370	M24x325	1.1 x 1.1 x 0.55	1.1 x 1.1 x 0.55	1.2 x 1.2 x 0.6	1.0 x 1.0 x 0.5	1.1 x 1.1 x 0.55	1.1 x 1.1 x 0.55			
AW1545/LTH/6	6	550	630	200	370x370	M24x325	1.2 x 1.2 x 0.6	1.2 x 1.2 x 0.6	1.3 x 1.3 x 0.65	1.1 x 1.1 x 0.55	1.1 x 1.1 x 0.55	1.2 x 1.2 x 0.6			
AW1545/LTH/7	7	550	630	200	370x370	M24x325	1.3 x 1.3 x 0.65	1.3 x 1.3 x 0.65	1.4 x 1.4 x 0.7	1.2 x 1.2 x 0.6	1.2 x 1.2 x 0.6	1.3 x 1.3 x 0.65			
AW1545/LTH/8	8	550	630	200	370x370	M24x425	1.3 x 1.3 x 0.65	1.4 x 1.4 x 0.7	1.5 x 1.5 x 0.75	1.3 x 1.3 x 0.65	1.3 x 1.3 x 0.65	1.4 x 1.4 x 0.7			
AW1545/LTH/9	9	550	630	200	370x370	M24x425	1.4 x 1.4 x 0.7	1.5 x 1.5 x 0.75	1.6 x 1.6 x 0.8	1.4 x 1.4 x 0.7	1.4 x 1.4 x 0.7	1.5 x 1.5 x 0.75			
AW1545/LTH/10	10	550	630	200	370x370	M24x425	1.5 x 1.5 x 0.75	1.6 x 1.6 x 0.8	1.7 x 1.7 x 0.9	1.4 x 1.4 x 0.7	1.5 x 1.5 x 0.75	1.6 x 1.6 x 0.8			
AW1545/LTH/10HD	10	700	800	200	370x370	M27x600	1.6 x 1.6 x 0.8	1.7 x 1.7 x 0.9	1.8 x 1.8 x 0.9	1.5 x 1.5 x 0.75	1.6 x 1.6 x 0.8	1.7 x 1.7 x 0.9			
AW1545/LTH/12	12	700	800	200	370x370	M27x600	1.8 x 1.8 x 0.9	1.9 x 1.9 x 1.0	2.0 x 2.0 x 1.0	1.7 x 1.7 x 0.9	1.8 x 1.8 x 0.9	1.9 x 1.9 x 1.0			
AW1545/LTH/15	15	700	800	200	370x370	M27x600	2.1 x 2.1 x 1.1	2.2 x 2.2 x 1.1	2.3 x 2.3 x 1.2	2.0 x 2.0 x 1.0	2.1 x 2.1 x 1.1	2.2 x 2.2 x 1.1			
AW1502/LTH lamp standard, lowering trolley head pole - all variants															
AW1502/LTH/4	4	450	510	200	200	M20x325	0.9 x 0.9 x 0.5	1.0 x 1.0 x 0.5	1.1 x 1.1 x 0.55	0.9 x 0.9 x 0.5	0.9 x 0.9 x 0.5	1.0 x 1.0 x 0.5			
AW1502/LTH/5	5	450	510	200	250	M20x325	1.1 x 1.1 x 0.55	1.1 x 1.1 x 0.55	1.2 x 1.2 x 0.6	1.0 x 1.0 x 0.5	1.1 x 1.1 x 0.55	1.1 x 1.1 x 0.55			
AW1502/LTH/6	6	450	510	200	250	M20x325	1.2 x 1.2 x 0.6	1.2 x 1.2 x 0.6	1.3 x 1.3 x 0.65	1.1 x 1.1 x 0.55	1.1 x 1.1 x 0.55	1.2 x 1.2 x 0.6			
AW1502/LTH/7	7	450	510	200	250	M20x325	1.3 x 1.3 x 0.65	1.3 x 1.3 x 0.65	1.4 x 1.4 x 0.7	1.2 x 1.2 x 0.6	1.2 x 1.2 x 0.6	1.3 x 1.3 x 0.65			
AW1502/LTH/8	8	550	630	200	250	M24x425	1.3 x 1.3 x 0.65	1.4 x 1.4 x 0.7	1.5 x 1.5 x 0.75	1.3 x 1.3 x 0.65	1.3 x 1.3 x 0.65	1.4 x 1.4 x 0.7			
AW1502/LTH/9	9	550	630	200	250	M24x425	1.4 x 1.4 x 0.7	1.5 x 1.5 x 0.75	1.6 x 1.6 x 0.8	1.4 x 1.4 x 0.7	1.4 x 1.4 x 0.7	1.5 x 1.5 x 0.75			
AW1502/LTH/10	10	550	630	200	250	M24x425	1.5 x 1.5 x 0.75	1.6 x 1.6 x 0.8	1.7 x 1.7 x 0.9	1.4 x 1.4 x 0.7	1.5 x 1.5 x 0.75	1.6 x 1.6 x 0.8			
AW1502/LTH/10HD	10	500PCD	Ø590	N/A	300	M27x600	1.6 x 1.6 x 0.8	1.7 x 1.7 x 0.9	1.8 x 1.8 x 0.9	1.5 x 1.5 x 0.75	1.6 x 1.6 x 0.8	1.7 x 1.7 x 0.9			
AW1502/LTH/12	12	700	800	200	370x370	M27x600	1.8 x 1.8 x 0.9	1.9 x 1.9 x 1.0	2.0 x 2.0 x 1.0	1.7 x 1.7 x 0.9	1.8 x 1.8 x 0.9	1.9 x 1.9 x 1.0			
AW1502/LTH/15	13	500PCD	Ø590	N/A	300	M27x600	2.1 x 2.1 x 1.1	2.2 x 2.2 x 1.1	2.3 x 2.3 x 1.2	2.0 x 2.0 x 1.0	2.1 x 2.1 x 1.1	2.2 x 2.2 x 1.1			

Table dimensions in mm

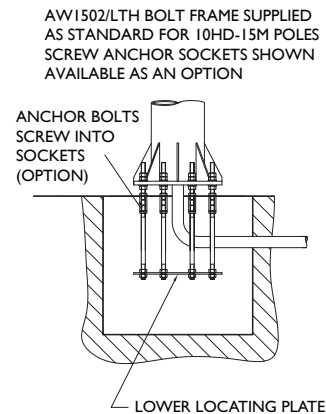
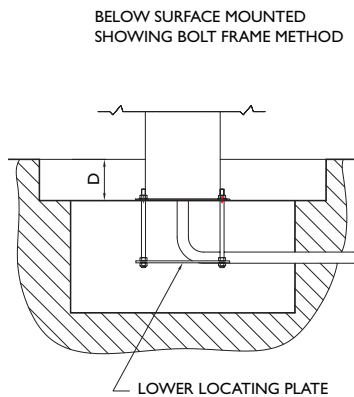
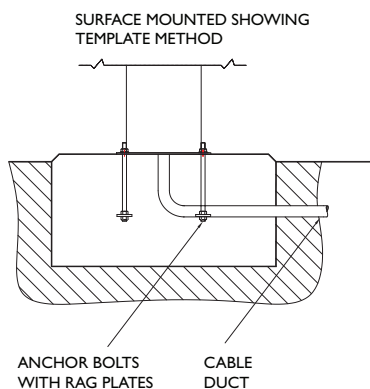
Foundation sizes in table are W x W x D
Dimensions in metres



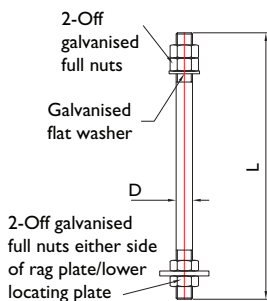
*D= 1000 on PM and buried
flange/embedded base models

- For area D locations and exposed locations over 100m above sea level for areas A, B and 150m above sea level for area C, we recommend increased foundation sizes. Please refer to the table on page 101 for conformation of these.
- A minimum soil bearing capacity of 75 kN/m² is assumed.
- Foundation base dimensions are typical and may vary depending on site conditions.
- Please refer to the foundations & windloading section on pages 101-103 for further guidance.

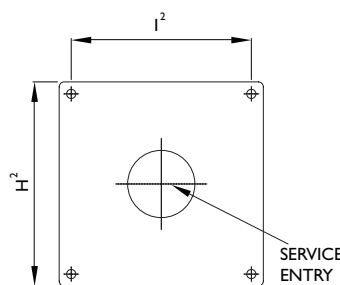
REFER TO INSTALLATION METHODS ON PAGES 104-106



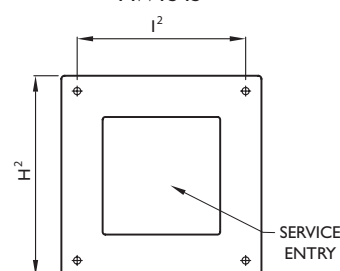
GALVANISED HOLDING DOWN BOLTS



AW1502/LTH UP TO 10M



AW1545



**DIAGRAM FOR AW1502/LTH
FROM 10HD UP TO 15M**

