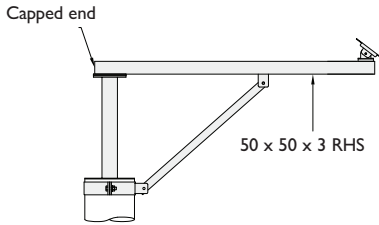


Offset Side Arms Brackets for Tubular Poles & Box Section Columns

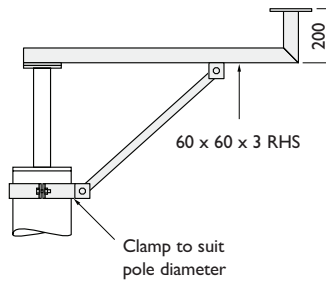
POBI (Ø*) SF

Pole top offset arm for fixed camera



POBI (Ø*) SPT

Pole top offset arm for PTZ camera



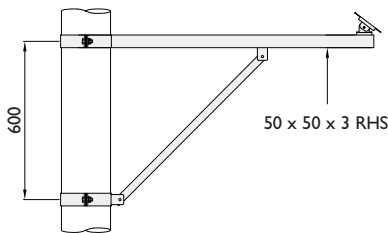
Part No.	Load capacity	
For Fixed Cameras	PTS-I	HAS-I
● POBI (Ø*) 600/SF	10 Kgs	25 Kgs
● POBI (Ø*) 1000/SF	10 Kgs	25 Kgs
POBI (Ø*) 1200/SF	10 Kgs	20 Kgs
POBI (Ø*) 1500/SF	10 Kgs	15 Kgs
For PTZ Cameras	Load capacity	
● POBI (Ø*) 600/SPT	25 Kgs	
● POBI (Ø*) 1000/SPT	25 Kgs	
POBI (Ø*) 1200/SPT	20 Kgs	
POBI (Ø*) 1500/SPT	15 Kgs	

* Followed by pole diameter

- Stock items

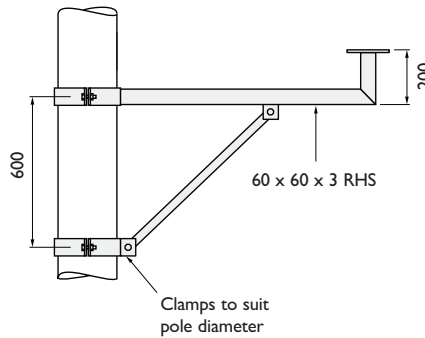
PMB (Ø*) SF

Pole mounting offset bracket for fixed camera



PMB (Ø*) SPT

Pole mounting offset bracket for pan & tilt camera



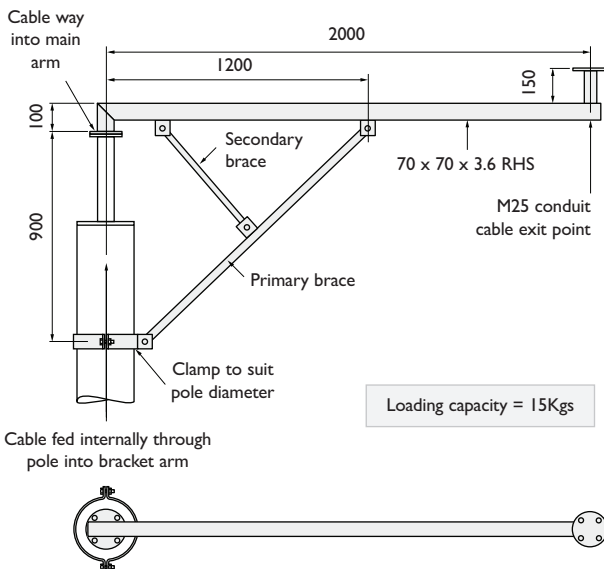
Part No.	Load capacity	
For Fixed Cameras	PTS-I	HAS-I
● PMB (Ø*) 600/SF	10 Kgs	25 Kgs
● PMB (Ø*) 1000/SF	10 Kgs	25 Kgs
PMB (Ø*) 1200/SF	10 Kgs	20 Kgs
PMB (Ø*) 1500/SF	10 Kgs	15 Kgs
For PTZ Cameras	Load capacity	
● PMB (Ø*) 600/SPT	25 Kgs	
● PMB (Ø*) 1000/SPT	25 Kgs	
PMB (Ø*) 1200/SPT	20 Kgs	
PMB (Ø*) 1500/SPT	15 Kgs	

* Followed by pole diameter

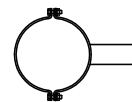
- Stock items

POBI-2000 SPT

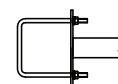
Pole top 2m off set arm for pan & tilt camera



Bracket clamps for tubular poles (POB-PMB)



Bracket clamps for box section columns (COB-CMB)



All part numbers noted above are for brackets to fit tubular poles. For brackets to fit box section columns replace POM/PMB prefixes with COB/CMB. State column section size instead of pole diameter.

For extended offset brackets, it is important than on tilt down products, the arm is orientated in the direction of tilt. Please refer to P103 for full explanation.

All brackets for camera mounting have a Ø127 mounting plate with Ø8.5 holes equi - spaced on 101.6 PCD