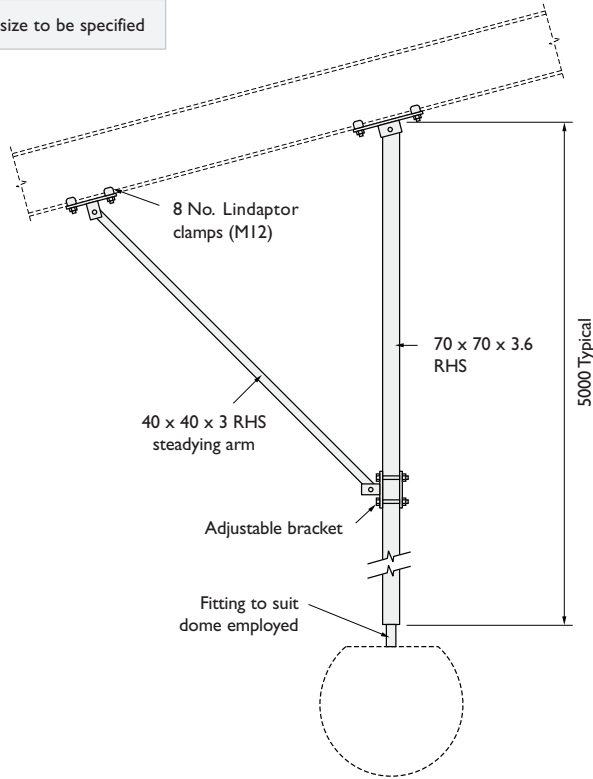


## RSJ Mounting Underslung Bracketry

### AW2032

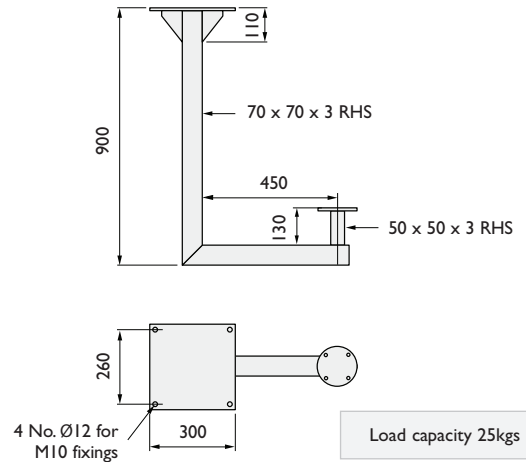
Suspended arm for dome

RSJ size to be specified



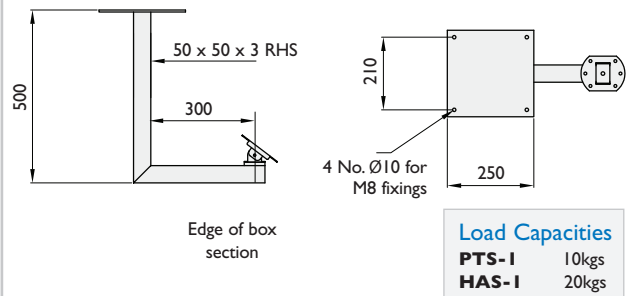
### AW2053

Soffit underslung J bracket PTZ camera



### AW1933

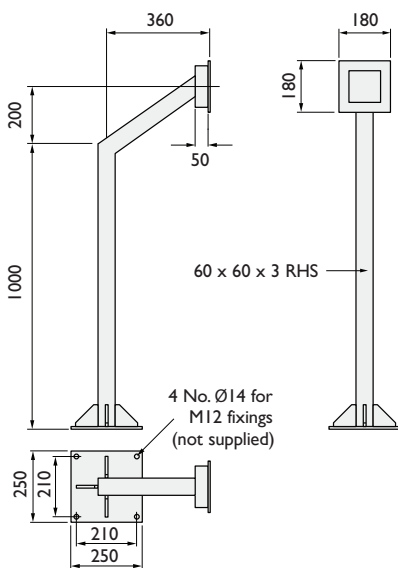
Soffit underslung J bracket fixed camera



## Pedestals

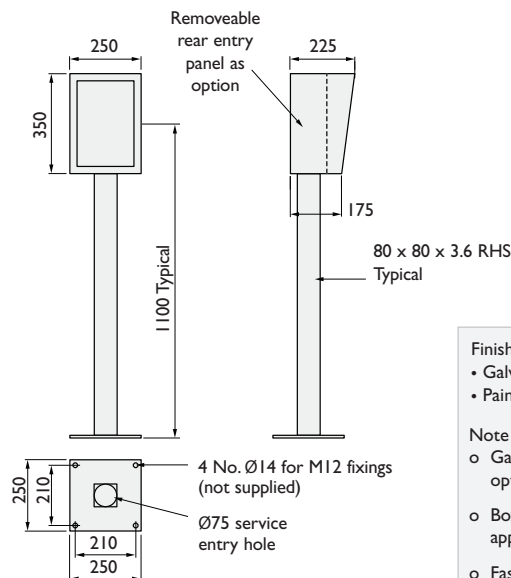
### AW1915

Car park entry pedestal



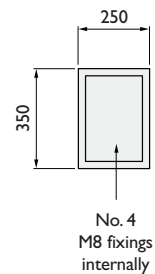
### AW1995

Door entry pedestal



### AW1995/WM

Wall mount door entry unit



#### Finishes available

- Galvanised
- Powdercoated
- Painted
- Stainless steel brushed

#### Note

- o Galvanised is standard finish - other finishes are optional and at additional cost
- o Box sizes are typical and can vary to suit application
- o Fascia plates produced for either surface mount or flush mount equipment
- o Dimensions are typical and can be specified to suit site requirements

All brackets for camera mounting have a Ø127 mounting plate with Ø8.5 holes equi - spaced on 101.6 PCD