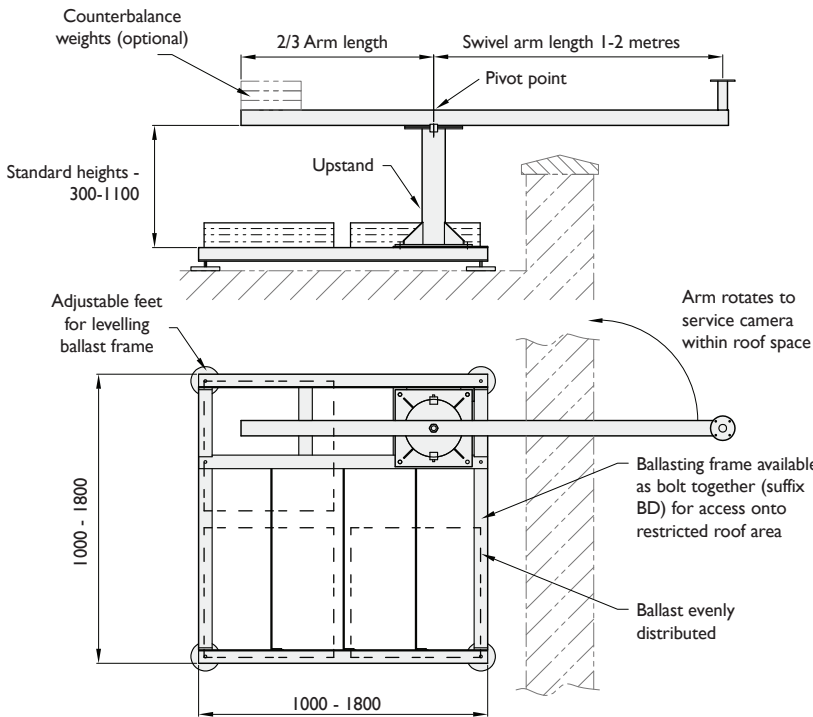


SBI-RM

Roof mounted swivel arm bracket



Swivel Arm Brackets

Arm Length	Pt No.
1m	● SBI-1000RM
1.2m	SBI-1200RM
1.5m	● SBI-1500RM
2m	SBI-2000RM

Upstand Heights Available

- 300 mm (supplied as standard)
- 600mm
- 1100mm

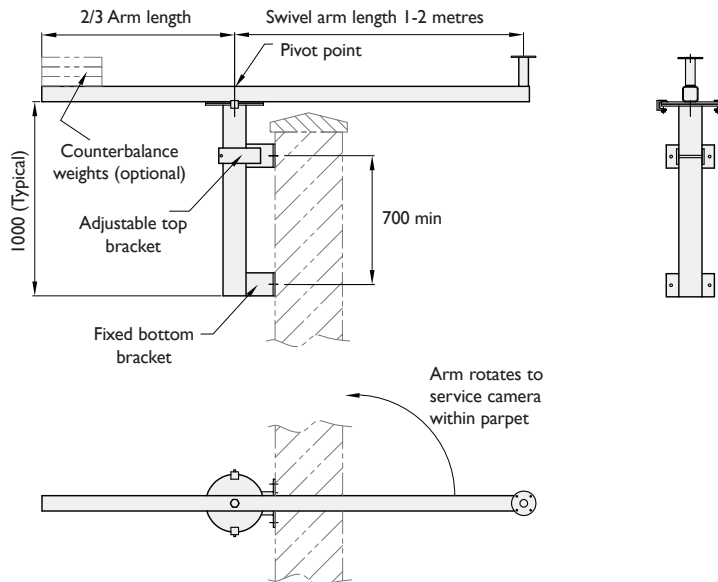
Other sizes made to order

- Max. camera load 25kgs / 0.25m²
- Also available with bolt together frame (suffix /BD) for access onto restricted roof areas. (/BD standard on 1500 + 1800 frames, refer to website for full part no. list)
- Typical ballast amount 100 - 320kgs depending on arm length, post height, location and roof height above ground level

● Stock items

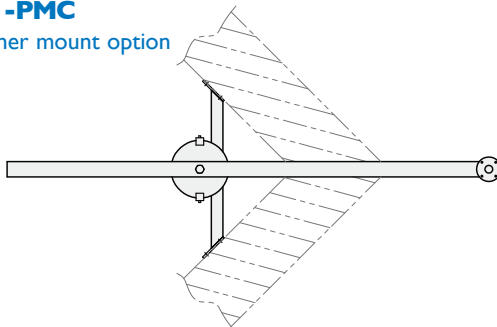
SBI-PM

Parapet mounted swivel arm bracket



SBI-PMC

Corner mount option



Arm Length	Pt No.
Flat Parapet Mount	
1m	● SBI-1000PM
1.2m	SBI-1200PM
1.5m	● SBI-1500PM
2m	SBI-2000PM
Corner Parapet Mount	
1m	SBI-1000PMC
1.2m	SBI-1200PMC
1.5m	SBI-1500PMC
2m	SBI-2000PMC

- Max. camera load:
 - Arm length up to 1.5m = 25kgs / 0.25m²
 - Arm length of 2m = 15kgs / 0.15m²
 - Arm lengths of over 2m depends on application
- Also available with integral cableway (suffix IC) so that all cabling is concealed within bracketry.

- Parapets must be of solid construction, ideally pre-cast concrete or steel-framed
- For brick built parapets, single skin construction is not suitable
- Parapets where the brickwork is not in good condition are not suitable
- The minimum parapet height is 1100mm
- The product head load must not be exceeded
- In cases where a greater head load is proposed, Altron must be contacted and suitable advice should be sought regarding parapet construction and strength

All brackets for camera mounting have a Ø127 mounting plate with Ø8.5 holes equi - spaced on 101.6 PCD