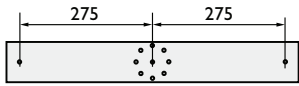


● Stock items

I/R Lamp Mounting Brackets

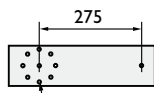
● **SP2**

Twin mounting bracket



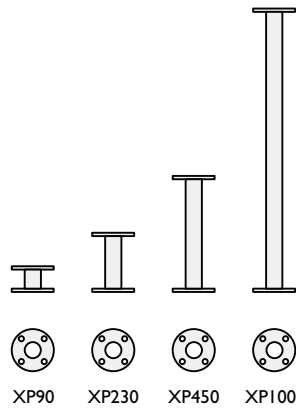
● **SPI**

Single mounting bracket



8 No. Ø8.5 equi-spaced on 101.6 PCD

Column Spacers



Part No.	Column Spacer Height
● XP 90	90mm 3 1/2 inches
● XP 150	150mm 6 inches
● XP 230	230mm 9 inches
● XP 300	300mm 12 inches
● XP 380	380mm 15 inches
● XP 450	450mm 18 inches
● XP 600	600mm 24 inches
● XP 1000	1000mm 39 inches

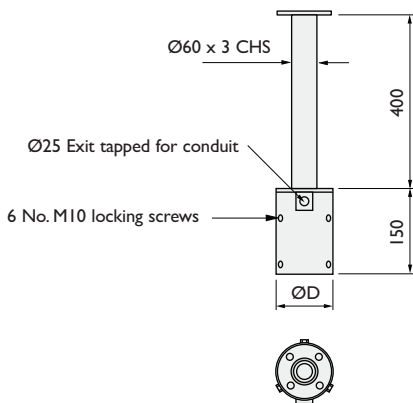
● Stock items

○ We can produce column spacers to suit any camera mounting type or application

Pole Top Mounting Brackets

PMBT (Ø*) SPT (*Pole diameter)

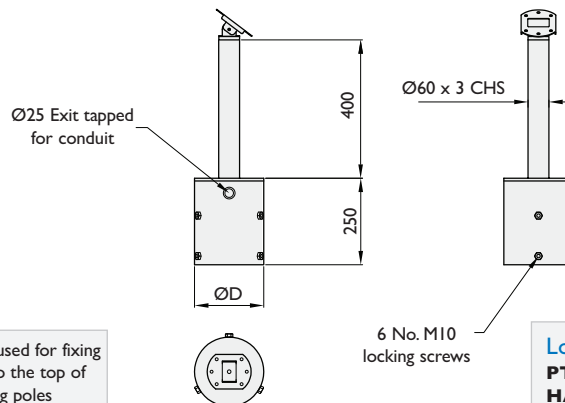
Pole top mounting bracket for PTZ camera



Commonly used for fixing cameras to the top of lighting poles

PMBT (Ø*) SF (*Pole diameter)

Pole top mounting bracket for fixed camera

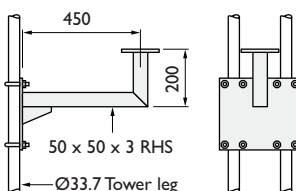


Load Capacities	
PTS-I	10kgs
HAS-I	25kgs

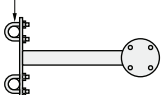
Column & Tower Mounting Brackets

● **TMB-SPT**

Tower leg mounting bracket for PTZ camera



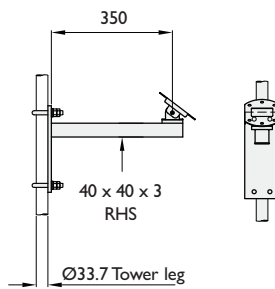
4 No. heavy duty galvanised 'U' bolts



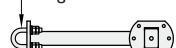
Load capacity 25kgs depending on tower spare capacity

● **TMB-SF**

Tower leg mounting bracket for fixed camera



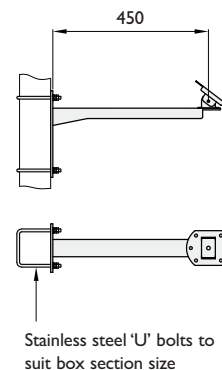
2 No. heavy duty galvanised 'U' bolts



Load Capacities	
PTS-I	10kgs
HAS-I	20kgs

CMB-SF

Pole mounting bracket for box section column fixed camera
PTZ version also available



Part No.	Box Section Size
● CMB 70SF	70 x 70
● CMB 80SF	80 x 80
● CMB 90SF	90 x 90
● CMB 100SF	100 x 100
CMB 120SF	120 x 120
CMB 150SF	150 x 150
CMB 200SF	200 x 200

● Stock items

All brackets for camera mounting have a Ø127 mounting plate with Ø8.5 holes equi - spaced on 101.6 PCD